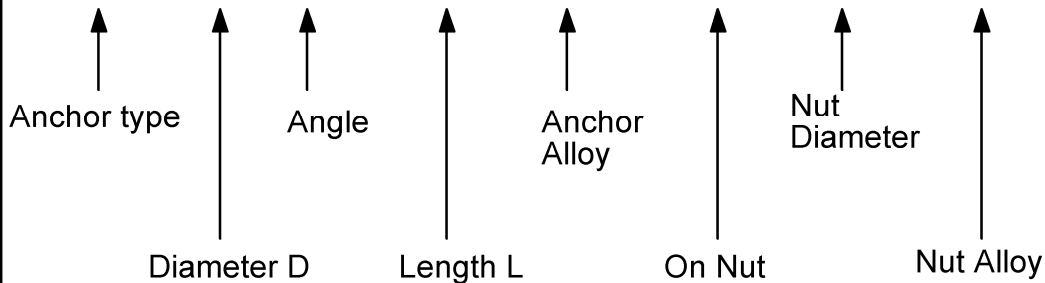


DESIGNATION EXAMPLE

Standard alloys

CH4.6(60)-150-310-ON-M6-310

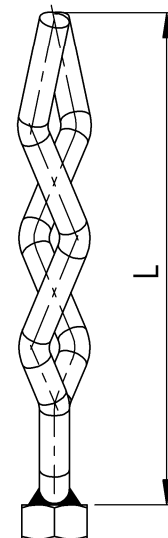
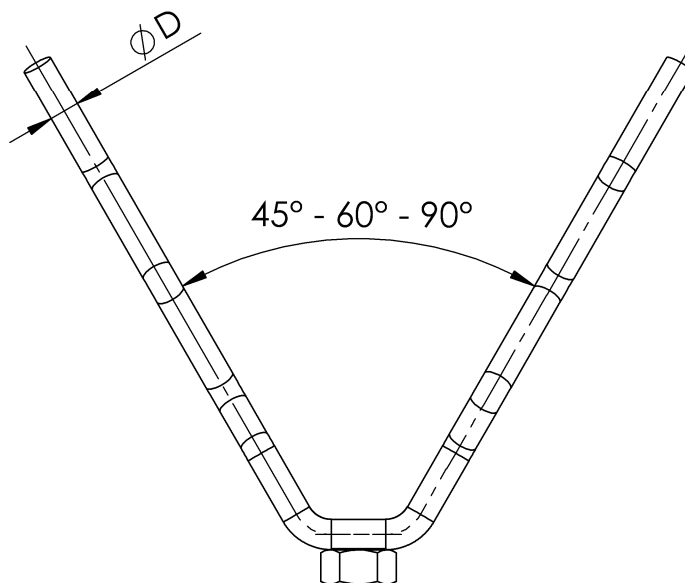
PLEASE REFER TO PAGE N°2



CH4.ON (ON NUT)

Notes:

Most frequent angles : 45°-60°-90°
any angle on request.



IRIS - Industrial Refractories & Insulating Specialities

Parc d'Activités Aérodrome Ouest - Rouvignies - F - 59328 VALENCIENNES Cedex (France)

Tél : +33 (0)3.27.21.52.80

Fax : +33 (0)3.27.21.52.99

E-mail: contact@irisfrance.com

Web: www.irisfrance.com

This drawing is the property of IRIS. Unauthorised use of patented features and/or reproduction of this drawing is strictly prohibited