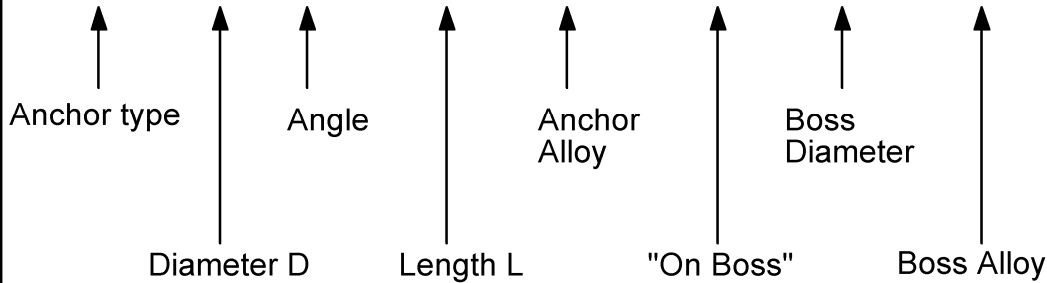


## DESIGNATION EXAMPLE

# CH4.6(60)-150-310-OB-M8-310

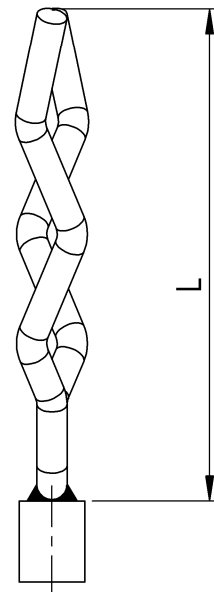
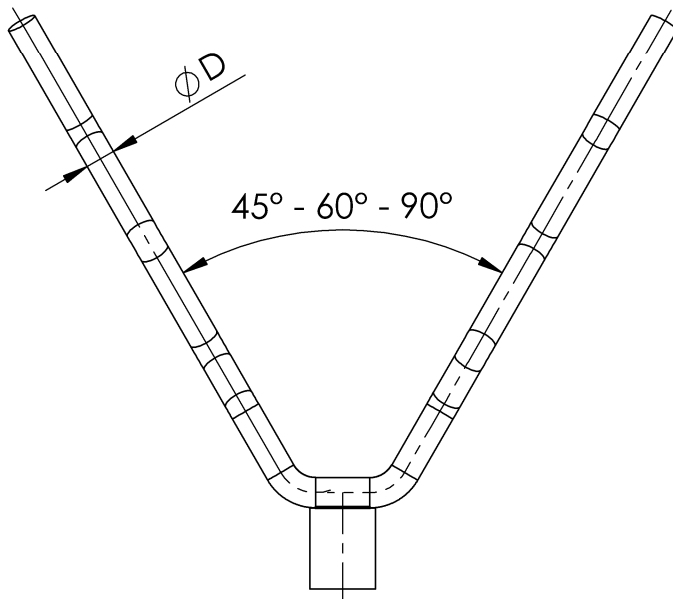


PLEASE REFER TO PAGE N°2

## CH4.OB ( ON BOSS )

### Notes:

Most frequent angles : 45°-60°-90°  
any angle on request.



**IRIS - Industrial Refractories & Insulating Specialities**

Parc d'Activités Aérodrome Ouest - Rouvignies - F - 59328 VALENCIENNES Cedex (France)

Tél : +33 (0)3.27.21.52.80

E-mail: [contact@irisfrance.com](mailto:contact@irisfrance.com)

Fax : +33 (0)3.27.21.52.99

Web: [www.irisfrance.com](http://www.irisfrance.com)

This drawing is the property of IRIS. Unauthorised use of patented features and/or reproduction of this drawing is strictly prohibited